
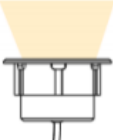




INERNOS

- Rated power 24/230V
- CRI85+ and on request CRI90+
- Anodized aluminium
- Various light colors possible
- Lifetime L80B10 > 60000 hour
- 230V Driver extended included
- IP66



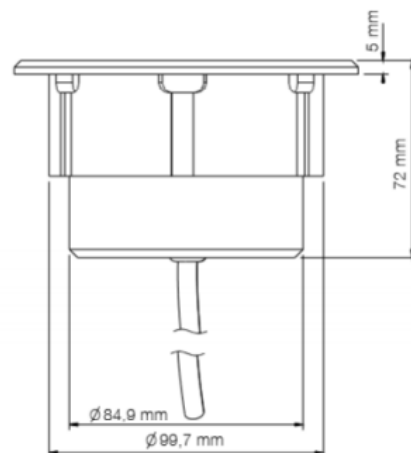
Output data

SYMMETRIC FRONT VIEW	Watt	Lumen	Article number	ASYMMETRIC FRONT VIEW	Watt	Lumen	Article number
	7W	840lm	1.02.14.00.030		7W	840lm	1.02.14.00.901
	14W	1680lm	1.02.14.20.030		14W	1680lm	1.02.14.20.901
	21W	2520lm	1.02.14.30.030		21W	2520lm	1.02.14.30.901
SYMMETRIC SIDE VIEW				ASYMMETRIC SIDE VIEW			
							

Dimensions



Product	Article number
Gel connector	1.02.99.11
Driver	4.04.01.13
Mounting tube	100mm pvc



Led-e-Lux